

Mauro Della Longa Curriculum Vitae

Personal Information

Surname: Della Longa
Name: Mauro
Place and Date of Birth: Latina, 27th July 1969
Nationality: Italian
Marital Status: Single
Address: 215 Uxbridge road, London W12 9DH - UK

Contact Information

Email: arch.dellalonga@gmail.com
Mobile: +44 (0)7951201558 (UK)
Website: www.archstudiodesign.com

Availability: 2 Days Notice

Exam equivalent part III qualification in UK.

Professional Architect Status:

Italian Architect fully qualified, chartered: ORDINE DEGLI ARCHITETTI ARB equivalent.

Targets and Keywords

- Interior Design
- Shop Design
- Architecture
- Refurbishment
- Yacht and Nautical Design

Relevant skills

- Interpersonal and Social Skills
- Communication Skills
- Flexibility and Adaptability

Education

2006 Training and Information Course (Italian Law 494/96):
Workers Safety and Security in the building site.
Technical Consultant for the Court in Latina.

2003 Yacht Design Master,
Quasar Institute, Rome. www.istitutoquasar.com

2002 La Sapienza University in Rome.
Architecture Degree (technology branch).

Main Professional Experiences

Current

- **Artspace Galleries, Fulham, London (UK), Freelance**

Residential Property on three floors, 270m², Site.
www.artspace-galleries.com

- **Café Brera Ltd, Canary Wharf, London (UK), Freelance.**

Restaurant - Caffè, 40 seats £ 30k.
Concept Design, Detailing, Furnishing Design.
www.cafebrera.com

- **R. STACK Villa, Ealing, London (UK), Freelance**

Villa on four floors, 350m²
Internal Renovation, Furnishing Design, Detailing, Site.

Oct 2007
July 2008

- **YO.Da srl, Formia (Latina), Italy, Freelance € 150k (about £ 109k)**

Boulangerie: Shop and Laboratory, 220m²
Concept, Internal Renovation, Furnishing Design, Detailing, Site.

- **Latina Council, Italy - Freelance, € 100k (about £ 79k)**

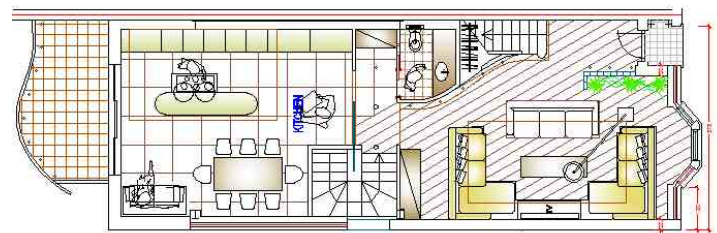
www.comune.latina.it
Urban Planning in two central areas of the town (R1 and R2).

- **Tuccinardi Villa in Latina, Italy, Freelance, € 200k (about £ 158k), 245m²**

Permissions, Complete Renovation, Internal & External Refurbishment, Domotic Plant.
Concept, design development, detailing, site manager.



Stack Villa in Ealing, London W5



Interior project, Stack Villa in Ealing, London W5



TUCCINARDI GOTTAGE



Mar. 2007
Oct. 2007

- **Angeletti apartment in Latina, Italy, Freelance, € 110k (about £ 85k), 110m²**
Permissions, Complete renovation, Internal Refurbishment
Concept, Design Development, Detailing, Site Manager.

-**Enzo Angelucci Engineer , Latina, Italy - Freelance,**
angeluccienzo@gmail.com
- "Mileto exit" in Salerno-R.Calabria Highway by "Società italiana per Condotte d'acqua" www.condotte.it.
Architect Assistant: 3D Graphic Modelling, Structural Details.

- **"DUE C SRL", Latina, Italy, Free Lance, € 400k (about £ 310.000).**
Architect.
Solar Panels on an Industrial Building, 50 kW.
Planning permission, Site Manager.

Nov. 2006
Mar. 2007

- **"Rive Gauche Rive Droite", Paris, France, Architect Assistant.**
Refurbishment of a Building, 4 floors on 200m² by the transformation of the interiors from offices to residential.
Design and Project Planning.

Feb. 2006
Nov. 2006

- **MAZZOLA FURNISHINGS, Latina, Italy - Free Lance as Shop Design Consulting Services,**
www.arredamentimazzola.com
Interiors of a bar area 450m² in "Millennium Sporting Center", Lariano (Roma), Italy, € 100.000 (about £ 79k).
Concept, design development, 3D Graphic Modelling, Detailing, Site Manager.
Lounge Bar, Wine Bar, Jewellery Shops, Clothing Stores.

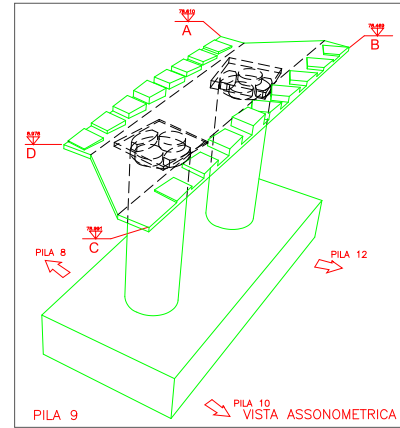
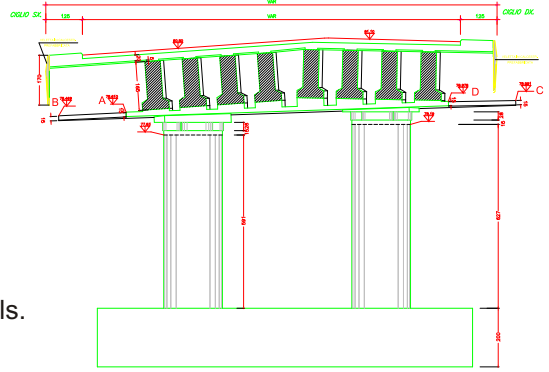
Feb. 2005
Feb. 2006

- **Secim srl, Latina, Italy - Free Lance, £2m**
New Residential Building on 3 levels with 11 apartments, 60m²each.
Project Architect.
Permissions, New build scheme, Feasibility Study,
- **Mr. Cioccarì:** Cottage on 2 levels of 110m² with 2 apartments, £ 400k

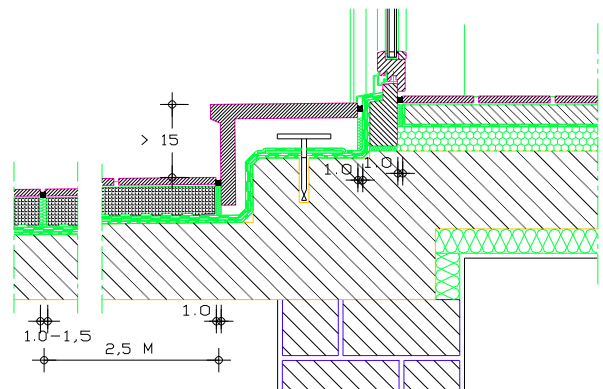
Feb. 2004
Feb. 2005

- **Enzo Angelucci Engineer , Latina, Italy - Free Lance,**
angeluccienzo@gmail.com
For **Terracina Sviluppo Spa**
Urban drainage planning in Terracina (Latina)
Planning 1:200, Detailing 1:50, 1:20. 1:10, 1:5

- **Mr. Alessandro Manfredi apartment in Latina, Italy, Free Lance, € 70k (about £ 85k), 80m²**
Permissions, Complete Renovation, Internal Refurbishment
Concept, Design Development, Detailing, Site Manager.



Secim: Residential Building on 3 floors over ground



Mileto exit in Salerno-R. Calabria, for "Società per Condotte d'Acqua S.p.a."
3d Graphic Design (Rhinceros), Detailing (Autocad).

CAD Skills

- Autocad..... 10 years - Very Good Level
- 3Ds Max..... 6 years - Good Level
- Rhinceros 2D-3D.... 5 years - Very Good Level
- Corel Draw..... 8 years - Very Good Level
- Corel Photopaint..... 8 years - Very good Level

Spoken Languages

- English: written and spoken
- French: Sufficient both written and spoken
- Italian: Mother-tongue